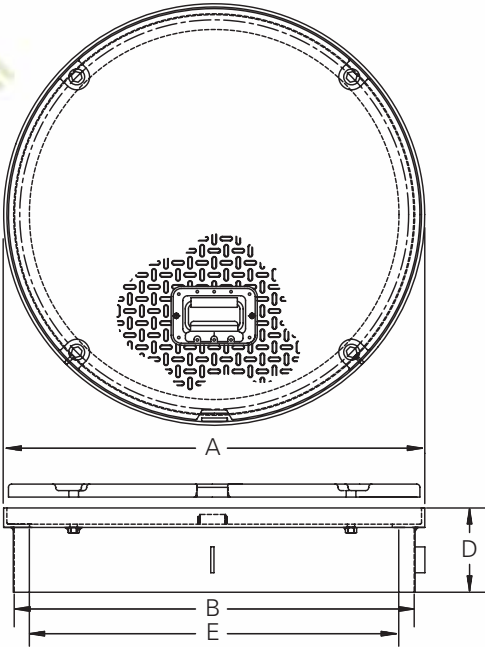




FIBER REINFORCED COMPOSITE ACCESS COVER

SAFE-LITE FRC access covers are ultra lightweight. Engineered and tested to exceed the D.O.T. H20 load ratings. Covers weigh almost one-third less than steel, which dramatically reduces injury potential during cover removal. Available in 12", 30", 36", and 42" sizes. The slide action cover further reduces the chance of injury by eliminating the need to bend down to remove or replace the cover.



Model	A		B		D		E	
	In	cm	In	cm	In	cm	In	cm
12"	13.75	34.93	12.00	30.48	8.50	21.59	12.00	30.48
30"	32.75	83.19	31.12	79.38	12.00	30.48	28.75	73.03
36"	40.25	102.24	38.62	98.09	12.00	30.48	36.25	92.08
42"	45.00	114.30	43.38	110.19	12.00	30.48	41.00	104.14

ORDERING INFORMATION

12" Round Access Way with FRC Covers

Model	Cover OD	Description
78121212BLK	12.88"	Black with 12" skirt
78121212ORG	12.88"	Orange with 12" skirt

30" Round Access Way with FRC Covers

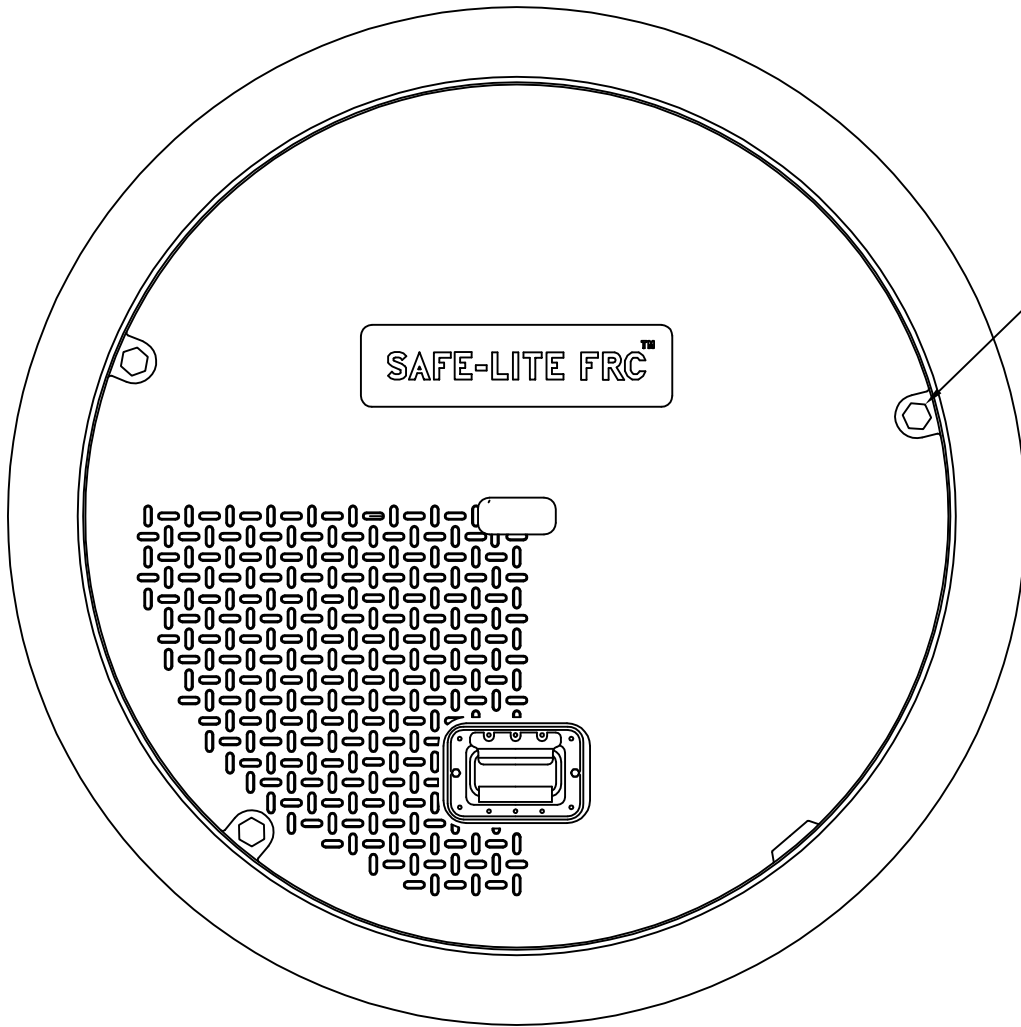
Model	Cover OD	Description
78143012GRY	32.00"	Gray, bolted cover with 12" skirt
78143013GRY	32.00"	Gray with 12" skirt

36" Round Access Way with FRC Covers

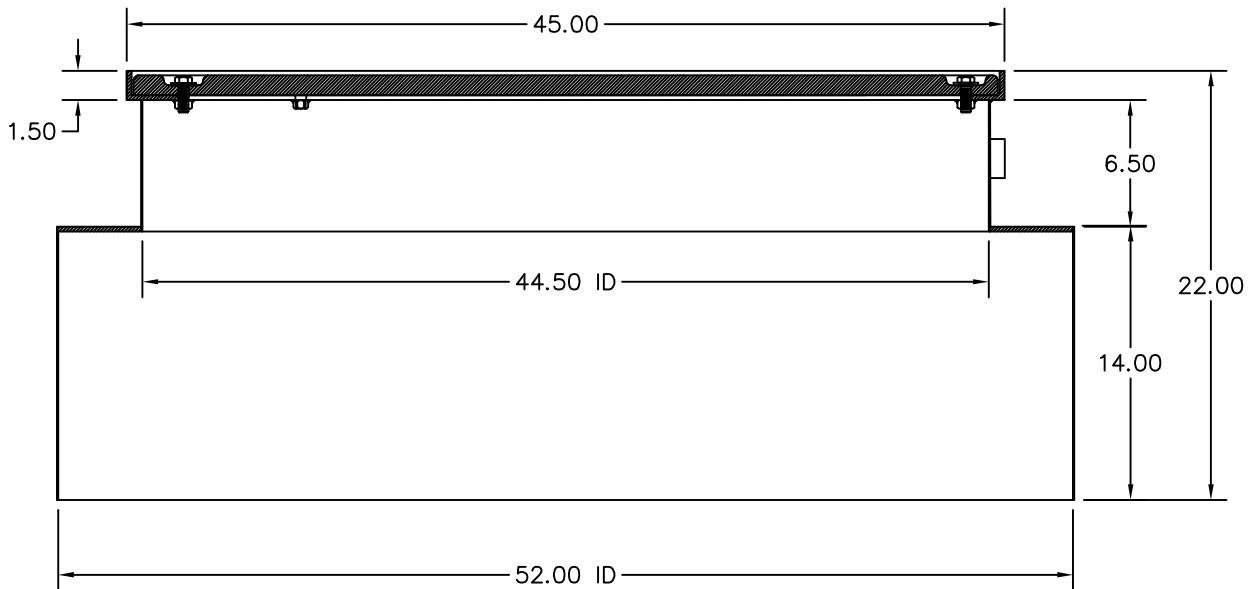
Model	Cover OD	Description
78143312GRY	39.50"	Gray, bolted cover with 12" skirt
78143313GRY	39.50"	Gray with 12" skirt
78148512GRY	39.50"	Gray, slide action cover with 12" skirt

42" Round Access Way with FRC Covers

Model	Cover OD	Description
78144312GRY	44.25"	Gray, bolted cover with 12" skirt
78144318GRY	44.25"	Gray, bolted cover with 18" skirt
78144412GRY	44.25" x 52.00"	Gray, bolted cover with 42" x 8" top skirt and 52" x 14" bottom skirt
78144313GRY	44.25"	Gray with 12" skirt
78148612GRY	44.25"	Gray, slide action cover with 12" skirt



MODELS AVAILABLE WITH
AND W/O BOLTS



TITLE: 42x52 SPECIAL FRC MANWAY

DRAWN: KV

REV: 1

PART NO. (REF): 781444XX

APPRVL: JFK

DATE: 5/8/13

DRW NO: CD-781444XX

ALL DIMENSIONS ARE REFERENCE.
THIS DRAWING IS FOR ILLUSTRATIVE PURPOSES ONLY